



## F-PSU-2405 Intelligent Switch Mode Power Supply: EN54-4 Certified

27.6Vdc 5A PSU with Intelligent Battery Charging, Monitoring and Remote Fault Signalling

### OVERVIEW

The F-PSU-2405 is a fully featured EN54-4 approved power supply and separate battery enclosure ideal for use in Fire Systems and Access control applications. Its regulated 27.6V dc output will supply up to 5A continuous into the load, in addition to providing up to 1.6A for charging the standby batteries. The power supply output features electronic short circuit protection under both mains and standby battery operation. Maximum battery life is assured through continuous active battery monitoring and the use of a three stage charger, comprising bulk, absorb and temperature compensated final float phase depending upon battery condition. Deep discharge protection prevents premature battery failure when operating from standby for extended periods. Two sets of volt free solid state relay fault output signal (i) loss of mains and (ii) battery fault, charger fault and loss of output.

- Certified by VdS to EN54-4:1997 +A1: 2002 + A2: 2006
- 5A current to load at 27.6V dc nominal regulated output
- Electronic overload protection shuts down output until overload or short circuit is removed
- Battery Monitor detects battery missing, low battery, short-circuit or reverse connection
- Battery charging circuit is energised only when a battery is correctly connected and the battery voltage is greater than 14V
- No loss of output during automatic connection of battery to load on loss of mains
- Deep discharge protection disconnects battery from load when battery voltage falls to 21V
- Automatic start-up on battery only
- Fault indicator LED (Red) flashes on detection of output fault, battery fault, charger fault and mains failure
- Mains indicator LED (green) showing mains present

### COMPLIANCE

This power supply unit complies with the following European Directives:

Low Voltage: 2014/35/EU      EMC: 2014/30/EU      WEEE: 2012/19/EU      RoHs2: 2011/65/EU      CPR 305/2011 EU

### SPECIFICATION

#### Input

Voltage	93Vac minimum, 264Vac maximum
Frequency	45Hz – 65Hz
Current	2.5A maximum for a 5A load and 1.6A battery charging
Inrush current	30A maximum @ 25 °C, 110Vac for 10ms
Mains input fuse	T3.15A 20mm, 250Vac HBC

#### Output

Voltage	26.0Vdc – 28vdc on mains power / 18Vdc – 26Vdc on battery standby
Load Current	0 - 5A
Ripple	100mV max over full rated mains voltage
Load output fuse	F5A 20mm, 250Vac glass
Overload	Electronic shutdown at 8A until overload or short circuit removed

#### Standby Battery

Battery Capacity	2 x 17Ah to 2 x 38Ah maximum (e.g. Yuasa NP17-12 or NP38-12) series connected
Battery fuse protection	F5A 20mm glass
Battery Charging	Constant current (1.6A) bulk charging to 80% within 24 hours, float charging to 100% within 48 hours
Low Battery Threshold Voltage	23V nominal
Deep discharge protection	Battery disconnect at 21V nominal
Quiescent current - no load	25mA nominal
Quiescent current - battery cut off	<70µA

#### Mechanical

Case material	1.2mm steel, white powder coated
Size	400mm W x 420mm H x 80mm D
Weight	6.2kg (excluding batteries)

#### Environmental

Temperature	-10 to +40 °C (operating) 95% RH non-condensing -20 to +80 °C (storage)
-------------	--

### CONNECTIONS

O/P + and -	Voltage output to load
PSU Fault	Solid State Relay output contacts
EPS fault	Solid State Relay output contacts
Temp sensor	Connection to battery temperature sensor
BATT + and -	Connections to standby batteries
FAN + and -	No Connection

**Loss of Mains and Brown-out compensation**

If the mains input has been lost for greater than 10s, a Loss of Mains condition is detected, an EPS Fault is signalled and the green Mains LED is extinguished. Short duration mains "brown-out" conditions are not signalled thus reducing nuisance alarms. The red Fault LED will show a heart-beat pulse indicating that the PSU is operating correctly in standby mode.

**Standby Operation**

When the mains input is lost, the power supply will automatically switch to the standby batteries and provide uninterrupted power the connected load whilst there is capacity in the standby batteries. The front panel Fault LED is pulsed periodically to indicate that the PSU is healthy and operating in standby mode.

During standby operation, the standby battery voltage is continually monitored. Once this drops below the Low Battery Voltage threshold (approximately 23V), a PSU Fault signal is generated and a Low Battery condition is signalled on the front panel LED.

**Battery Management**

The standby batteries are tested regularly. If a battery becomes disconnected, a PSU Fault signal will be generated within 20s of the disconnection.

If the impedance of the battery circuit connections increases above 500mΩ, for example due to corrosion or damage to the cabling, a PSU Fault signal will be generated within 60 minutes.

If the battery is unable to supply significant current to the load, for example due to cell degradation, a PSU Fault signal will be generated within 24 hours.

**Battery Charging**

The standby batteries are charged automatically when the mains is present. The PSU uses a fast bulk charge regime to quickly recharge the batteries to approximately 80% capacity followed by a reduced charging current to reach full capacity. The batteries are held at full capacity using a temperature compensated float regime. The battery temperature is measured at its terminals using a special sensing probe. An extended probe may be fitted for use with an external standby battery pack.

Note: if the batteries are disconnected the battery charger is switched off and there will be NO measurable voltage at the BATT terminals.

**Battery Auto-Start**

The power supply will self-start if a set of charged standby batteries are connected without any mains present. An EPS Fault signal will be generated under this condition.

Note: a pause of 5s must be observed between repeated battery connections and disconnections to guarantee an auto-start.

**SIGNALLING**

**Fault Outputs:** 100mA @ 60Vdc solid state relay (Open indicates fault condition)

EPS Fault	PSU Fault	Condition	Possible Cause	Action
CLOSED	CLOSED	Normal operation	Mains present Battery fully charged	None
OPEN	CLOSED	Standby Mode	Mains lost Battery driving load	Investigate loss of mains
CLOSED	OPEN	Fault Present	Blown fuses Battery fault Overload Internal fault	Investigate fault source using diagnostic LED Rectify fault where possible
OPEN	OPEN	PSU Shutdown	Mains lost Standby battery exhausted	Restore mains as soon as possible

**Local Indicators – front panel**

Red LED Fault	Green LED Mains	Condition	Possible Cause	Action
OFF	ON	Normal operation	Mains present Battery fully charged	None
FLASH CONTINUOUS	ON or OFF	Fault	Blown fuses Battery fault Overload Internal fault	Contact service engineer
1 PULSE	OFF	Standby Mode	Mains lost Battery driving load	Investigate loss of mains

**Diagnostic Indicator – internal**

Red LED Diagnostic	Green LED Mains	Condition	Possible Cause	Action
OFF	ON	Normal operation	Mains present Battery fully charged	None
	OFF	Standby Operation	Mains Lost. No faults present Battery driving load	Investigate loss of mains
ON CONTINUOUS	ON or OFF	Internal Fault	Software fault detected PSU running in Safe Mode	Return to manufacturer
FLASH CONTINUOUS	ON or OFF	No output	Output fuse blown Output overload Output short circuit	Check and replace output fuse Disconnect output load and test load
1 PULSE	ON	Battery Charging	No faults active Battery charging normally but < 90% of full charge	None
2 PULSES	ON	No Battery	Battery disconnected Battery fuse blown Battery heavily discharged	Check battery connections Check and replace battery fuse Check battery terminal voltage and replace if battery aged
	OFF	Low Battery Volts	Standby Mode Battery almost discharged	Restore mains as soon as possible
3 PULSES	ON or OFF	Battery Fault	High impedance in battery connection Battery internal fault	Check battery connections for damage e.g. corrosion. Replace battery if aged
4 PULSES	ON or OFF	Charger Fault	Internal failure of battery charger	Return to manufacturer
5 PULSES	ON or OFF	Battery Temperature Probe Fault	Battery temperature monitor disconnected or damaged PSU running in Safe Mode	Check temperature sensor connections and condition of sensor and cable Replace if suspect

## INSTALLATION

This unit is only suitable for installation as permanently connected equipment. The PSU is NOT SUITABLE for external installation.

This unit must be fed from a mains power source having a separate (approved) disconnect device and fitted with a fuse or other over-current protection device rated at 3A maximum. Ensure that the disconnect device used has appropriate earth fault protection to the applicable standard. Where the PSU is used to provide power to a fire alarm circuit, the mains isolation and disconnect device should be provided solely for this purpose and be suitably marked "FIRE ALARM – DO NOT TURN OFF". All cabling should meet national and local fire system installation regulations, e.g. FP200 type cable for high integrity installations.

Where the PSU is used for other applications, it should be installed according to all relevant safety regulations applicable to that application. Where the PSU Fault and EPS Fault outputs are used, they should only be connected to circuits having voltages less than 60V dc.

### Cable Sizing

- 1) Mains input cable must be to the applicable standard with a 3A or greater current capacity, i.e. 0.5mm<sup>2</sup> nominal conductor area, having a minimum operating voltage of 300/500 Vac.
- 2) The low voltage output cable must be sized to carry the rated load current to the devices connected to the PSU.
- 3) Mains input and low voltage output cables should be routed to use different entry / exit holes in the case. Bushes should be used to protect cable sheaths from chafing. Ensure that these bushings are correctly sized (i.e. close fitting with respect to cable sizing). Note that the bushes should meet a minimum flammability specification of UL94 HB.
- 4) All cabling should be securely fastened in position using a cable tie through the saddles provided.

### Mounting

- 5) Fix to wall or other support structure in correct orientation i.e. with hinge on left hand side, using screws of sufficient size and length through the mounting holes.
- 6) PSU should be mounted no further than 10cm from the control and indicating equipment, close coupled by conduit.
- 7) Knock-outs are provided in the case for mating with external trunking or conduit.
- 8) Ensure that all unused holes (on the rear of the case) are sealed to prevent the ingress of damp and dust.

## COMMISSIONING

### Mains Power Up

- 1) With no external connections made to the PSU, connect the mains input wires to the terminal block, **ensuring that the mains isolator (disconnect device) is open**. Fasten wiring in place with cable tie to saddle. **Note: Equipment must be earthed.**
- 2) Apply mains input. Ensure that the green Mains LED illuminates and that the red Fault LED flashes after approximately 20s (indicating a disconnected battery).
- 3) Disconnect the mains power.

### Load Output and Remote Signalling

- 4) Connect the EPS and PSU Fault outputs to the appropriate inputs of control equipment if remote fault monitoring is required.
- 5) Loop the load (output) wiring through the supplied ferrite EMC suppressor as shown in Figure. 1. Cable tie to saddle provided (adjacent to exit hole).

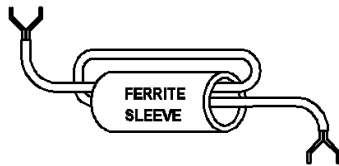
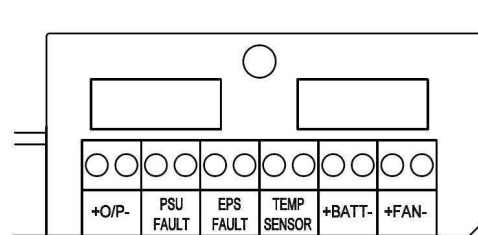


Figure 1 - Ferrite EMC suppressor



- 6) Re-apply mains. Verify that the green Mains LED illuminates and the red Fault LED flashes after approximately 20s (disconnected battery).
- 7) If connected, verify that the EPS Fault monitor shows a *closed* contact and the PSU Fault monitor shows an *open* contact.
- 8) Perform a full functional test of system including full alarm condition.

### Standby Battery

- 9) Mount two 12V 17Ah batteries in lower part of enclosure.. Higher capacity batteries should be mounted in the separate battery box. All cabling between the two boxes should be routed to use separate case entry/exit holes from other cabling and use suitable bushes to protect the cables.
- 10) Connect the two 12V standby batteries in series using the single cable provided. Connect the *negative* of one battery to the *positive* of the other. **DO NOT CONNECT** the other two battery terminals to each other.
- 11) Connect the free Positive and Negative terminals of the batteries to the PCB terminals Batt+ and Batt - using the cables provided. See Figure 2.
- 12) If the batteries are housed remotely, replace the battery lead assembly (including battery temperature sensor) with an extended length assembly (provided with the separate battery box), Ensure the temperature sensor and battery connections are made according to figure 2.
- 13) Verify that the red Fault LED stops flashing after about 20s (battery connection detected). Verify that the remote PSU Fault monitor shows a *closed* contact.
- 14) Disconnect the mains power. Verify that the green Mains LED extinguishes and the red Fault LED starts to pulse (indicating that the PSU is running from its standby batteries).
- 15) If connected, verify that the EPS Fault monitor shows an *open* contact and the PSU Fault monitor shows a *closed* contact.
- 16) Perform a full functional test of system including full alarm condition. Verify that the standby batteries can support the system load. Note: ensure batteries have sufficient charge.

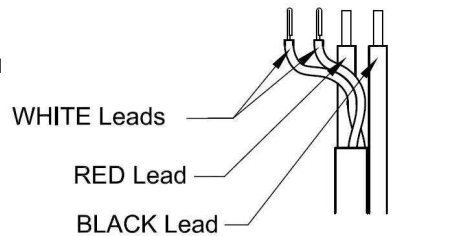


Figure 2 – Connection of battery leads and temp sensor to terminal block.

### Final

- 17) Reconnect the mains. Verify that the green Mains LED illuminates and the red Fault LED extinguishes.
- 18) If connected, verify that the EPS Fault monitor shows a *closed* contact and the PSU Fault monitor shows a *closed* contact.
- 19) Close cover and secure using fastening screws provided.

## OPERATING INSTRUCTIONS

This unit is intended for use by Service Personnel only. There are NO USER SERVICEABLE parts inside.

The green Mains LED will be illuminated whilst the mains supply is present. In the event of a failure, the red Fault LED will flash and the solid state remote fault output contacts will open.

There is no regular maintenance required of the PSU as the microcontroller performs regular health checks of the battery and output voltage. **However, reference should be made to the battery manufacturer's documentation to determine typical / expected battery life with a view to periodic replacement of the battery.**

If the output of the PSU fails the cause of the failure should be investigated e.g. short circuit load, connection of a deeply discharged battery. The fault should be rectified before restoring power to the PSU. The following fuses may need to be replaced. Ensure the correct fuse rating and type is used.

Load Output Fuse	F5A 20mm, 250Vac glass
Internal Mains Fuse	T3.15A 20mm, 250Vac HBC
Battery Fuse	F5A 20mm, 250Vac glass

**CAUTION**

**Risk of explosion if battery is replaced by an incorrect type. Dispose of used batteries according to the battery manufacturer's instructions and all local and national regulations**

The packaging supplied with this product may be recycled. Please dispose of packaging accordingly.

**Explanation of symbols: (Not all may apply)**

Fault Indication



Shock Risk - isolate before attempting access



Mains Present



Certification Level



Protective Earth



Do not dispose of in unsorted waste

Specifications subject to change without notice

## F-PSU-2405 Remote Battery Box For Up To 2 x 38Ah Batteries

### OVERVIEW

This unit is suitable for housing backup batteries up to 2.5 metres from a 'Power Supply Unit'. It will accept the following batteries, 2 x 12V 24Ah to 2 x 12V 38Ah maximum (e.g. Yuasa NP24-12 or NP38-12).

This battery box meets the requirements of EN54-4 when used in conjunction with an F-PSU-2405 Intelligent Switch Mode PSU' and battery extension lead provided.

**IMPORTANT:** Only for installation as permanently connected equipment and is NOT SUITABLE for external installation.

### Mechanical

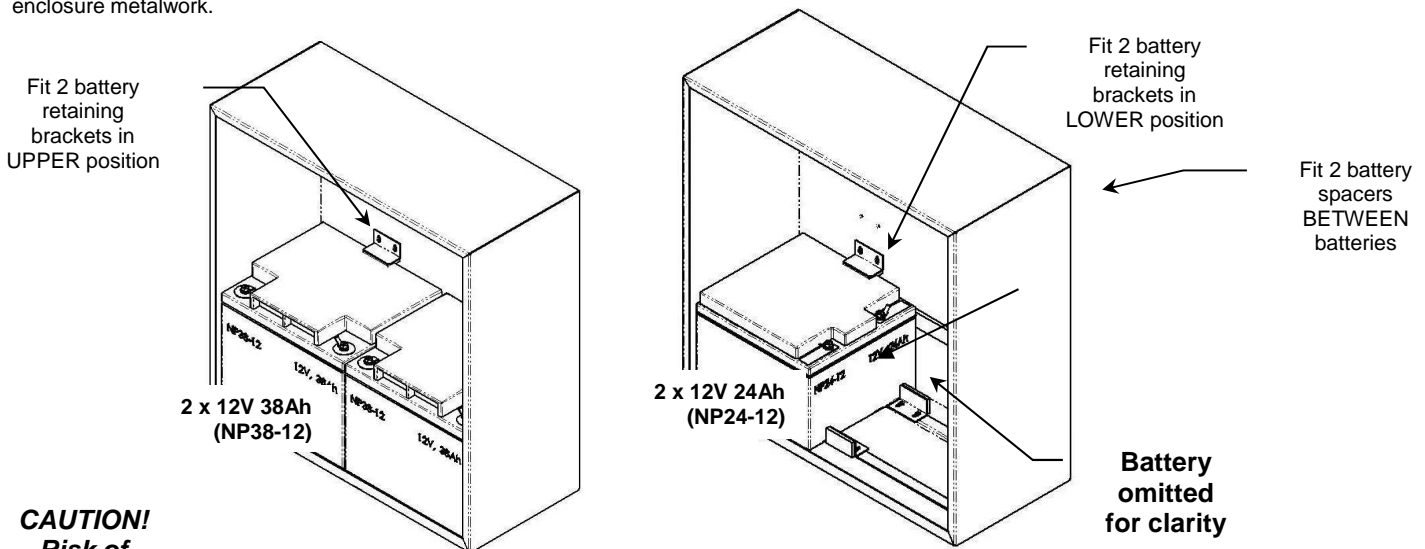
Case material	1.2mm steel, white powder coated
Size	420mm W x 420mm H x 180mm D
Weight	35.2kg (including 2 x 38Ah batteries)

### Mounting

- 9) Fix to wall or other support structure in correct orientation i.e. with hinge on left hand side, using screws of sufficient size (4 off No10 or 5mm) and length through the mounting holes. Use wall plugs suitable for the support structure.
- 10) Knock-outs are provided in the case for mating with external trunking or conduit.
- 11) Ensure that all unused holes (on the rear of the case) are sealed to prevent the ingress of damp and dust.
- 12) An earthing stud is provided in the base of the enclosure for a direct earth bond if required.

### Battery Mounting

Mount two 12V 24Ah or two 12V 38Ah batteries in lower part of enclosure, see figures below for correct orientation, 38Ah batteries – terminals facing out, 24Ah batteries – terminals facing centre. Note position of brackets for each arrangement. All cabling between the remote boxes and the main box should be routed to use separate case entry/exit holes from other cabling and use suitable bushes to protect the cables. Ensure all terminations on battery terminals are sufficiently insulated to prevent accidental shorting to each other or the enclosure metalwork.



**CAUTION!**  
**Risk of  
explosion**

**Dispose of used batteries according to the battery manufacturer's instructions and all local and national regulations**

*if battery is replaced by an incorrect type.*

The packaging supplied with this product may be recycled. Please dispose of packaging accordingly.